

# S150 S160

Skid-Steer

Loader

Turbo Skid-Steer

Loader



**One Tough Animal™**

## Specifications



**Bobcat Attachments for these models:**

- Angle Broom\*
- Auger
- Backhoe
- Box Blade
- Brushcat® Rotary Cutter
- Brush Saw
- Buckets
- Bucket Adapter
- Chipper\*
- Combination Bucket
- Concrete Mixer\*
- Digger
- Dozer Blade\*
- Dumping Hopper
- Farm Grapple (for use with utility fork or bucket)
- Grader\*
- Hydraulic Breaker\*
- Industrial Grapple
- Landplane
- Landscape Rake
- Mower
- Pallet Fork (standard)
- Pallet Fork (hydraulic)
- Planer (standard)
- Rear Stabilizer
- Scarifier
- Scraper
- Seeder
- Snow Blade
- Snowblower\*
- Snow V-Blade
- Sod Layer\*
- Soil Conditioner\*
- Spreader
- Steel Tracks
- Sweeper
- Three-Point Hitch
- Tiller
- Tilt-Tatch
- Tree Spade\*
- Trench Compactor
- Trencher
- Utility Fork
- Vibratory Roller
- Water Kit
- Whisker Push Broom

### Performance

Rated Operating Capacity<sup>1</sup>  
 ROC with Optional Counterweight  
 Tipping Load  
 Hydraulic Pump Capacity  
 High Flow Option  
 Travel Speed  
 Operating Weight

### S150

1500 lb. (680 kg)  
 1600 lb. (726 kg)  
 3000 lb. (1361 kg)  
 16.9 GPM (64 L/min.)  
 7.3 MPH (11.7 km/hr.)  
 5662 lb. (2568 kg)

### S160 Turbo

1600 lb. (726 kg)  
 1700 lb. (771 kg)  
 3200 lb. (1452 kg)  
 16.9 GPM (64 L/min.)  
 26.4 GPM (99.9 L/min.)  
 7.3 MPH (11.7 km/hr.)  
 5752 lb. (2609 kg)

### Dimensions

Length (with bucket)  
 Width (with bucket)  
 Height  
 Height to Bucket Pin

130.3 in. (3309 mm)  
 68.0 in. (1727 mm)  
 76.3 in. (1938 mm)  
 114.5 in. (2908 mm)

130.3 in. (3309 mm)  
 68.0 in. (1727 mm)  
 76.3 in. (1938 mm)  
 114.5 in. (2908 mm)

### Engine

Make/Model  
 Fuel/Cooling  
 Cylinders  
 SAE NET HP/Displacement  
 Fuel Tank Capacity

### Tier II Compliant

Kubota/V2203M-DI  
 Diesel/Liquid  
 4  
 46/134 in.<sup>3</sup> (2.2 L)  
 24 gal. (90.8 L)

Kubota/V2003M-DI-T  
 Diesel/Liquid  
 4  
 56/122 in.<sup>3</sup> (2.0 L)  
 24 gal. (90.8 L)

### Operation

Steering and Drive  
 Hydraulics  
 Transmission

Forward, reverse, travel speed and steering controlled by two hand levers.  
 Raise/lower lift arms and dump/rollback bucket controlled by two foot pedals or optional hand controls.  
 Hydrostatic, four-wheel drive.

### Standard Features

Adjustable Cushion Seat  
 Automatically Activated  
 Glow Plugs  
 Bobcat Interlock Control System (BICS™)  
 Bob-Tach™  
 Deluxe Cab  
 Dual Path Cooling System  
 Engine/Hydraulic Shutdown  
 Front Auxiliary Hydraulics  
 Front & Rear Lights

Gauges/Warning Lights  
 Lift Arm Support  
 Operator Cab  
 Parking Brake  
 Seat Bar (available for all Bobcat loaders)  
 Seat Belt  
 Spark Arrestor Muffler (S150 only)  
 10-16.5 Bobcat Standard-Duty Tires  
 Turbo-Charger (S160 only) (Approved Spark Arrestor)

### Options/Accessories

Advanced Control System (ACS)  
 Air Conditioning (S160 only)  
 Alarm Package (backup alarm and horn)  
 Attachment Control Kit  
 Bobcat Heavy-Duty Tires  
 Heavy-Duty Offset  
 Bobcat Poly-Fill Tires  
 Bobcat Severe-Duty Tires  
 Bobcat Super Float Tires  
 Cab Enclosure  
 Cab Heater  
 Catalytic Purifier  
 Counterweight  
 Deluxe Instrument Panel  
 Flasher/Strobe/Rotating Beacon Lights  
 Gold Package Option

High-Flow Auxiliary Hydraulics Package (S160 only)  
 Hydraulic Bucket Positioning<sup>2</sup>  
 Keyless Start System  
 Power Bob-Tach™  
 Radio Kit  
 Rear Auxiliary Hydraulics  
 Ride Control  
 Service Safety Training Kit  
 Side Windows  
 Skid-Steer Loader Operator Training Kit  
 Sound Cab  
 Special Applications Kit<sup>3</sup>  
 Suspension Seat (vinyl or cloth cover)

## Powerful. Smooth. Fast.

Here's everything you want in a compact loader!

The new Bobcat S150 and the turbo-charged S160 deliver lots of muscle, lift capacity, lift height and travel speed.

Powerful diesel engines produce plenty of traction and breakout force for excavating and handling large loads. There's also a 16.9-gpm hydraulic pump for efficient attachment performance.

As with any Bobcat loader, you get a wide choice of quick-mounting Bobcat attachments. The operator can easily replace a bucket with a backhoe, pallet fork, landscape rake, sweeper, tiller and grapple, along with many more.

And look at all these operator-friendly features:

- Easy entry and exit
- Long wheelbase for smooth, comfortable ride
- Excellent visibility to sides, front and rear corners of loader
- Roomy comfort for operators of all sizes
- Rear-pivot seat bar
- State-of-the-art instrumentation
- Fully-enclosed cab and heating system available
- Air conditioning system available (S160 only)
- Fully-adjustable suspension seat available

**Got a job to do? The S150/S160 are ready to take on any challenge!**

Construction • Landscaping • Nurseries  
 Municipalities • Agriculture/Agribusiness • Recycling

### S150

**1,500 LB.**  
*Rated Operating Capacity*  
**46 HP**  
*Liquid-Cooled Diesel Engine*  
**114.5 IN.**  
*Lift Height*

### S160 Turbo

**1,600 LB.**  
*Rated Operating Capacity*  
**56 HP**  
*Turbo-Charged, Liquid-Cooled Diesel Engine*  
**114.5 IN.**  
*Lift Height*

### Optional Deluxe Instrument Package includes:

- Multi-language capability
- System diagnostic capability
- All gauges read in metric or English units
- Feature lockouts
- Keyless start security
- Digital and job clocks
- Help screens
- Attachment information

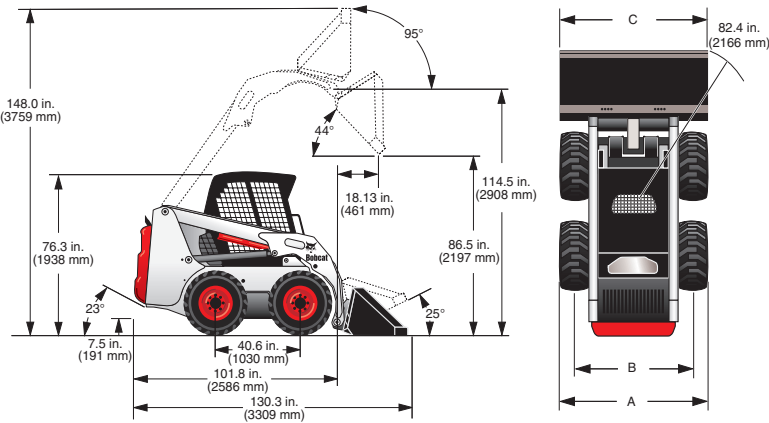
NOTE - Where applicable, dimensions are in accordance with Society of Automotive Engineers (SAE) and ISO standards. Specifications and design are subject to change without notice. Pictures of Bobcat loaders may show other than standard equipment. All dimensions are given for loader equipped with standard tires. All dimensions are shown in inches. Respective metric dimensions are enclosed by parentheses. Bobcat Company complies with the requirements of ISO 9001 as registered with BSI.

<sup>1</sup> Operating capacity rated with standard digging bucket according to SAE standard J818 - OPERATING CAPACITY TO EQUAL NO MORE THAN ONE HALF THE TIP LOAD.

<sup>2</sup> Bucket positioning helps operator keep the same tilt of the load during lifting.

<sup>3</sup> Includes Lexan front door, top and rear windows.

<sup>4</sup> Special application kit (see #3) must be used.



"A" 10 - 16.5 TIRES - 66.0" (1676 mm) or 60.0" (1524 mm)  
 31.5 x 13 - 16.5 TIRES - 66.0" (1676 mm)

"B" 10 - 16.5 TIRES - 54.5" (1385 mm) or 48.5" (1232 mm)  
 31.5 x 13 - 16.5 TIRES - 52.3" (1328 mm)

"C" 62 in. BUCKET WIDTH - 62.0" (1575 mm)  
 68 in. BUCKET WIDTH - 68.0" (1727 mm)  
 74 in. BUCKET WIDTH - 74.0 (1880 mm)



B-1770

**Bobcat Company**  
 P.O. Box 6000 • West Fargo, ND 58078  
[www.bobcat.com](http://www.bobcat.com)

Printed in U.S.A.

An **IR** Ingersoll-Rand business

Jr-30M-405-#B6340505-F

\* Attachment Control Kit required.